

Model: IK-36 - STAND-BY RANGE

230 V - SINGLE-PHASE | 1.500 R.P.M. | 50 Hz

Automatic without ats panel Stand-by Genset V3.



Image for guidance purposes.

## PRP

**CONTINUOUS POWER:** 33 kVA

PRP "Prime Power" norma ISO 8528-1

## LTP

**STAND-BY POWER:** 36 kVA

LTP "Limited Time Power" norma ISO 8528-1

## ENGINE

MAKE	MODEL
KOHLER	KDI2504TM

## ALTERNATOR

MAKE	MODEL
MECC-ALTE	ECP32-1M/4B

VOLTAGE	HZ	PHASE	COS Ø	PRP kVA/kW	LTP kVA/kW	AMP. (LTP)
230	50	1	1	32,3/32,3	35,6/35,6	154,55

**ELECTRO EXIM SRL**

**ELECTRO EXIM SRL**  
21 Ialomicioarei St., sector 1, code 011277, BUCHAREST - ROMANIA  
Phone: 0040 21 2231347 - 0040 744 755 390 - FAX: 0040 21 2231201  
E-mail: office@electroexim.com - Web: www.electroexim.ro

Model: IK-36 - STAND-BY RANGE

230 V - SINGLE-PHASE | 1.500 R.P.M. | 50 Hz

## ENGINE CHARACTERISTICS

MAKE	MODEL
KOHLER	KDI2504TM

### General Data

Power PRP (kWm)	37.30
Power LTP (kWm)	41.00
No. cylinders	4
Cylinder capacity (L)	2.482
Diameter per stroke (mm)	88 x 102
Compression ratio	-
Cooling system	LIQUID
Injection	DIRECT
Suction	TURBO
Series regulator	MECHANICAL
Fly wheel coupling	3-11,5"

### Lubrication system

Oil capacity (L)	11.50
Oil consumption (%)	0.10
Min. alarm oil pressure (bar)	-

### Ventilation system

Air cooling flow (m <sup>3</sup> /h)	7200
Combustion air flow (m <sup>3</sup> /h)	212.00
Max. back pressure for fan (mbar)	-

### Exhaust system

Exhaust gas flow (m <sup>3</sup> /h)	185
Exhaust back pressure (mbar)	80
Temp. exhaust gases (°C)	530

### Electrical system

VDC (V)	12
Battery (Ah)	90
Engine start-up (kW)	-



Model: IK-36 - STAND-BY RANGE

230 V - SINGLE-PHASE | 1.500 R.P.M. | 50 Hz



## INMESOL GENERATOR SET

### GENERAL DESCRIPTION

The “INMESOL” generator set is an electrical energy generating machine which is used in places where there is **no mains supply** or when there is a MAINS failure.

The mobile elements, distribution belt, fan, etc., and those parts which reach high temperatures during operation, exhaust manifold, etc, include their corresponding protections, in compliance with the requirements of the Machinery Directive **2006/42**.

### REGULATIONS

The machine holds the “CE” marking, and the corresponding Declaration of Conformity is issued with each of them, in which it specifies that the machine complies with **R.D 842/2002 Low Voltage Regulations and with the European Directives:**

- 2006/42 on Safety in Machinery.
- 2006/95/CE on Electrical Safety.
- 2004/108/CE on Electromagnetic Compatibility.
- 2005/88/CE on NOISE EMISSIONS by equipment for outdoor use (for SOUNDPROOF GENERATOR SETS).

Model: IK-36 - STAND-BY RANGE

230 V - SINGLE-PHASE | 1.500 R.P.M. | 50 Hz

**SB** **STAND-BY**  
RANGE

**Scope of supply**

**V3** **Gensets with AMF Control Panel but**  
**WITHOUT ATS PANEL** **and separated ATS Panel**

**V3**

Engine/alternator monobloc directly connected and installed via silent blocks on a frame made from high tensile electro welded steel profiles that are treated with degreasing liquids and applied with a phosphate coat and Polyester (QUALICOAT) paint.

Canopy of steel sheet sound proofed with fireproof rockwool, and treated with degreasing liquids and applied with a phosphate coat and Polyester (QUALICOAT) paint.

Sealed chassis

Fuel tank integrated in the chassis provided with fuel level gauge and fuel lines to the engine.

Engine with mechanical engine driven pusher fan.

Residential silencer with -35 db(a) noise reduction with exhaust tube and protection cap.

Thermal and magnetic circuit breaker

Battery charge alternator.

Starter battery complete with cables to the engine and pole protection.

Installation prepared for earthing spike (spike not included).

Security protection for belts and moving parts as well as on electrical component.

External emergency stop push button.

Manual engine oil extraction pump.

Self excited and auto regulated alternator.

Integrated lifting hook for single point lifting with crane, gensets up to 450 kVA (Except in swing-out cover model)

Base frame prepared for trailer kit

Standard electronic speed governor on engines from 220 kVA and up.

Electric control cubicle with digital control module, automatic mains failure, manual start or remote start on signal.

Battery charger for gen set with 12VCC battery (2A).

Battery charger for gen set with 24VCC battery (5A).

Electric engine coolant preheating on gen sets with automatic mains failure controller.

Horizontal outlet for hot air (till canopy 4200x1600x2245)

**OPTIONS**

Earth fault relay

ATS Panel in metal cabinet (Himel)

Integral additional socket panel (from 20 kVA till 400 kVA PRP)

Residential silencer

**V1** PREWIRED VERSION FOR AMF

**V2** GENSETS WITH AMF/ATS PANEL AND 4 POLE CIRCUIT BREAKER

**V3** GENSET WITH AMF CONTROL PANEL BUT WITHOUT ATS PANEL AND SEPARATED ATS PANEL

**ELECTRO EXIM SRL**

**ELECTRO EXIM SRL**  
21 Ialomicioarei St., sector 1, code 011277, BUCHAREST - ROMANIA  
Phone: 0040 21 2231347 - 0040 744 755 390 - FAX: 0040 21 2231201  
E-mail: office@electroexim.com - Web: www.electroexim.ro

Model: IK-36 - STAND-BY RANGE

230 V - SINGLE-PHASE | 1.500 R.P.M. | 50 Hz

**DSE 6020 MKII AUTOMATIC CONTROL PANEL WITHOUT ATS PANEL**

**V3**

PROTECTION, DISTRIBUTION AND AUTOMATIC CONTROL panel which starts the generator set when it detects a mains failure and stops it when the mains is restored with the control unit DSE 6020 MKII. It also starts and stops the group manually via a pushbutton or remote start-up by contact.



Image for guidance purposes.

It has the following:

## 1. EMERGENCY STOP PUSHBUTTON

## 2. PROTECTIONS:

Magnetothermal switch (preheating resist.) 2P (16 A)

Protection fuses for control module

## 3. BATTERY CHARGER

**V1** PREWIRED VERSION  
FOR AMF

**V2** GENSETS WITH AMF/ATS PANEL  
AND 4 POLE CIRCUIT BREAKER

**V3** GENSET WITH AMF CONTROL PANEL BUT WITHOUT ATS PANEL  
AND SEPARATED ATS PANEL

**ELECTRO EXIM SRL**

**ELECTRO EXIM SRL**  
21 Ialomicioarei St., sector 1, code 011277, BUCHAREST - ROMANIA  
Phone: 0040 21 2231347 - 0040 744 755 390 - FAX: 0040 21 2231201  
E-mail: office@electroexim.com - Web: www.electroexim.ro

Model: IK-36 - STAND-BY RANGE

230 V - SINGLE-PHASE | 1.500 R.P.M. | 50 Hz

**DSE 6020 MKII AUTOMATIC CONTROL PANEL WITHOUT ATS PANEL**

**V3**

#### 4. DSE 6020 MKII PROTECTION CONTROL MODULE.

##### LCD SCREEN:

It has a digital LCD screen, which provides easy reading of the information regarding the ENGINE, ALTERNATOR, MAINS and CHARGING.

ENGINE:	ALTERNATOR AND CHARGE:	MAINS:
Coolant temperature	Voltages between phases and between phases and neutral.	Frequency
Oil pressure	Intensities	Voltages between phases and neutral (L1-N, L2-N, L3-N).
Turning speed (rpm)	Frequency	Voltages between phases and (L1-L2, L2-L3, L1-L3).
Fuel level	Active Power (kW)	Active Power (kW)
Battery voltage	Reactive Power (kVAr)	Reactive Power (kVAr)
Battery alternator voltage.	Apparent Power (kVA)	Apparent Power (kVA)
Operating hours	Cos phi	Cos phi
Number of start-ups	Active energy meter (kW-h)	

##### CONTROL OF THE SET:

STARTS and STOPS the set AUTOMATICALLY when mains failure is detected and when it is restored, respectively.

It can also operate MANUALLY a REMOTE STAR.

Breaker control via fascia buttons.

##### PROTECTION OF THE ENGINE AND ALTERNATOR, WITH THE ALARMS ACTIVATED:

ENGINE:	ALTERNATOR:	MAINS:
Low oil pressure	Low and High Voltage	Low and High Voltage
High coolant temperature	Low and High Frequency	Low and High Frequency
Low and High battery Voltage.	Overload due to Intensity (A)	
Failure of the alternator to charge batteries	Power Overload (KW)	
Low fuel level		

Engine maintenance alarms for fuel filter, air filter and oil filter

##### OTHER CHARACTERISTICS:

The real-time clock provides an exact record of events.	USB connectivity	Programmable clock with multiple maintenance events which can be configured for optimal motor functioning. Weekly and/or monthly programming for up to 8 startups and shutdowns per week.
Extensive number of configurable inputs and outputs.	Fully configurable via software and PC.	ALTERNATIVE CONFIGURATIONS, which open up the working possibilities
Configurable alarms and timers.	Communication via USB cable for remote control	

**V1** PREWIRED VERSION FOR AMF

**V2** GENSETS WITH AMF/ATS PANEL AND 4 POLE CIRCUIT BREAKER

**V3** GENSET WITH AMF CONTROL PANEL BUT WITHOUT ATS PANEL AND SEPARATED ATS PANEL

**ELECTRO EXIM SRL**

**ELECTRO EXIM SRL**  
21 Ialomicioarei St., sector 1, code 011277, BUCHAREST - ROMANIA  
Phone: 0040 21 2231347 - 0040 744 755 390 - FAX: 0040 21 2231201  
E-mail: office@electroexim.com - Web: www.electroexim.ro

Model: IK-36 - STAND-BY RANGE

230 V - SINGLE-PHASE | 1.500 R.P.M. | 50 Hz

DSE 6020 MKII AUTOMATIC CONTROL PANEL **WITHOUT ATS PANEL**

V3

## 5. PROTECTIONS

MAGNETO. PROTECTION (A)	EARTH LEAK PROTECTION	DISTRIBUTION
160A, 2P	OPCIONAL	Bornero en cuadro bases

### OPTION:

**4-Pole Switchboard in metal cabinet  
independent from the Automatic Panel**

V1 PREWIRED VERSION  
FOR AMF

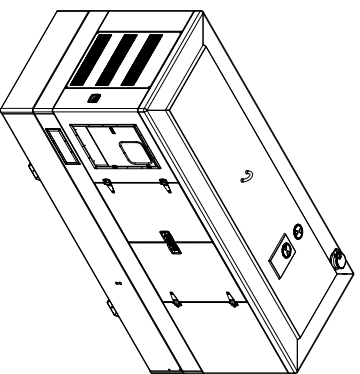
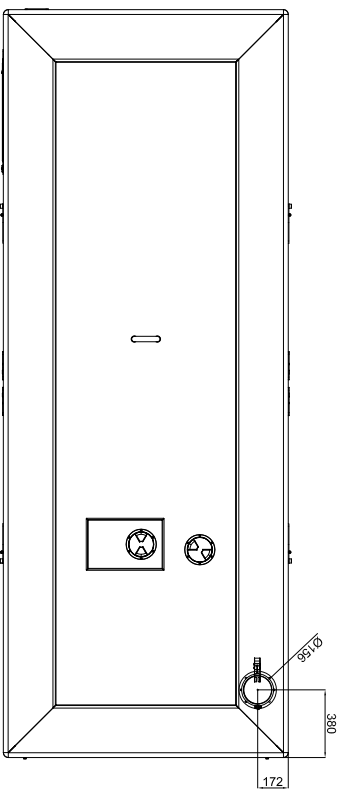
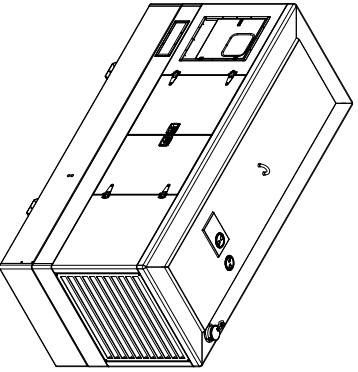
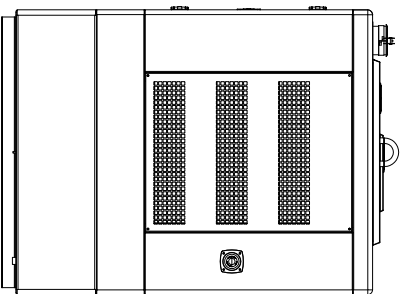
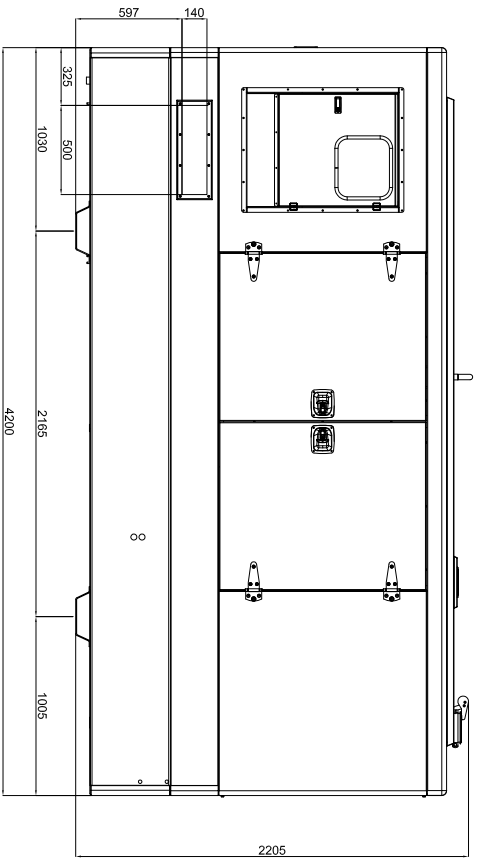
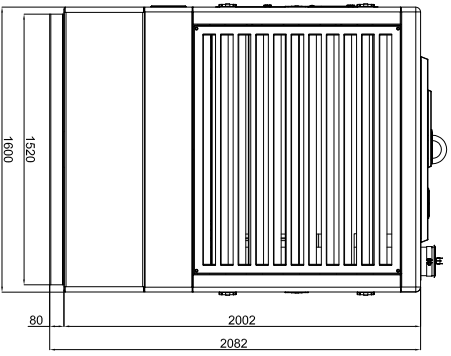
V2 GENSETS WITH AMF/ATS PANEL  
AND 4 POLE CIRCUIT BREAKER

V3 GENSET WITH AMF CONTROL PANEL BUT WITHOUT ATS PANEL  
AND SEPARATED ATS PANEL

**ELECTRO EXIM SRL**

**ELECTRO EXIM SRL**  
21 Ialomicioarei St., sector 1, code 011277, BUCHAREST - ROMANIA  
Phone: 0040 21 2231347 - 0040 744 755 390 - FAX: 0040 21 2231201  
E-mail: office@electroexim.com - Web: www.electroexim.ro





FUEL TANK CAPACITY = 534 LTS

GENSET MODEL BUILT INSIDE THIS CANOPY

IVECO	II-330	II-385	II-440	II-550
DEUTZ	ID-330	ID-415		
MTU	IT-310	IT-330	IT-440	
VOLVO	IV-330	IV-385	IV-415	IV-500
PERKINS	IP-300	IP-385	IP-440	
PERKINS	IP-355	IP-450	IP-520	IP-580

**IMMESOL**  
POWER SOLUTIONS

Este documento es una herramienta de trabajo que no garantiza la exactitud de los datos ni la idoneidad de los productos. El usuario es responsable de verificar la información antes de utilizarla. El fabricante no se hace responsable de los daños o perjuicios que se deriven del uso de esta información. Este documento es propiedad de IMMESOL y está reservado todos los derechos. No se permite su reproducción, distribución o uso no autorizado sin el consentimiento escrito de IMMESOL.

CODIGO

PESO

ESCALA

PROYECTO: **SOUNDPROOFED CANOPY 4200x2220x1600 WATERTIGHT**

MODIFICADO	A.AGUILAR	04/08/2015	MATERIAL	
DISEÑADO	J.J.BELAR	18-JUN-2012	TOLERANCIA GENERAL	
COMPROBADO	J.J.SOLANO	18-JUN-2012	UDS	

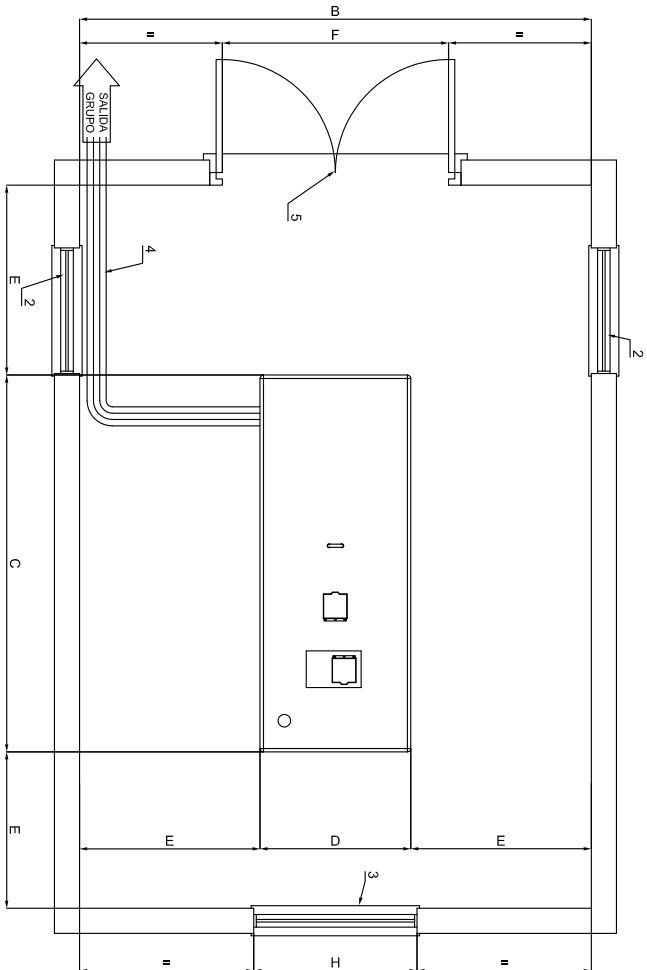
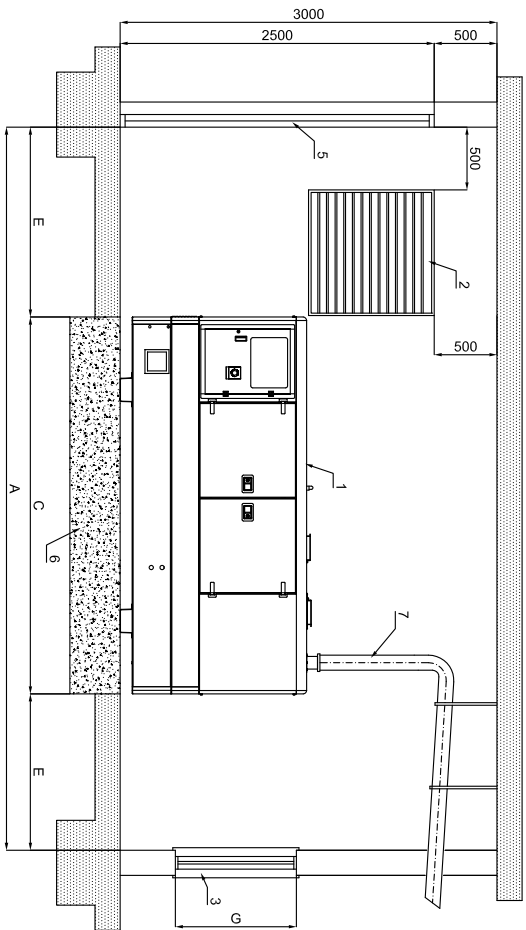
DESIGNACION: **SOUNDP. CANOPY 4200x2220x1600 300-400 Kw**

EXFEDIENTE:

Nº MOD:

Nº PLANO:

MARCA:



DIMENSIONES MINIMAS DE SALA SEGUN POTENCIA										
POTENCIA (Kva)	A	B	C	D	E	F	G	H	I	SECCION HUECO ENTRADA AIRE
8-15 ABATIBLE										2x0.50 m <sup>2</sup>
10-15										2x0.50 m <sup>2</sup>
20-30										2x0.50 m <sup>2</sup>
40-60-75										2x0.90 m <sup>2</sup>
85-105-130										2x1.00 m <sup>2</sup>
150-180-200-250										2x2.50 m <sup>2</sup>
										2x3.00 m <sup>2</sup>
										2x3.50 m <sup>2</sup>

- NOMENCLATURA**
- 1.- GRUPO ELECTROGENO
  - 2.- HUECO ENTRADA DEL AIRE
  - 3.- TUNEL EXPULSION DEL AIRE
  - 4.- BANDEJA PASACABLES
  - 5.- PUERTA DE ACCESO
  - 6.- BASE HORMIGON ARMADO H-175
  - 7.- TUBO DE ESCAPE

**CALCULO ESPESOR LOSA DE HORMIGON**

$$E = \frac{W}{d \times D \times C}$$

E = altura bloque de hormigon  
 W = peso total grupo electrogeno  
 d = densidad del hormigon (2400 kg/m<sup>3</sup>)  
 D = anchura bloque de hormigon (m)  
 C = longitud bloque de hormigon (m)

EL Ø DE LA TUBERIA DE EXTENSION DEL ESCAPE PUEDE SER EL MISMO QUE EL DEL SILENCIADOR HASTA 5 m. PARA DISTANCAS MAYORES DE 5 m. DEBE AUMENTARSE EL Ø DE LA TUBERIA 10 mm POR CADA 10 m MAS DE DISTANCIA ENTRE EL GRUPO ELECTROGENO Y LA SALIDA EXTERIOR

Una vez obtenida la altura de escape, se debe comprobar que el escape sea suficiente para el grupo electrogeno, para lo cual se debe consultar el fabricante del grupo electrogeno y verificar que la altura de escape sea suficiente para el grupo electrogeno.									
PROYECTO:	<b>GRUPO INSONORIZADO</b>								
MODIFICADO:	AGUILAR	02-FEB-2015	MATERIAL						
DIBUJADO:	J.G.BELAR	27-FEB-2008	TOLENCIA GENERAL						
CONPROBADO:	J.L.SOLANO	04-02-2012	UDS:						
DENOMINACION:	<b>GRUPO INSONORIZADO</b>			<b>DIMENSIONES DE SALA</b>					
PESO:				EXPEDIENTE:					
ESCALA:				Nº PLANO:			MARCA:		