

Model: ID-330 - INDUSTRIAL RANGE

400/230 V - THREE-PHASE | 1.500 R.P.M. | 50 Hz

Genset with manual control panel.



Image for guidance purposes.

## PRP

**CONTINUOUS POWER:** 300 kVA

PRP "Prime Power" norma ISO 8528-1

## LTP

**STAND-BY POWER:** 330 kVA

LTP "Limited Time Power" norma ISO 8528-1

## ENGINE

MAKE	MODEL
DEUTZ	BF6M 1015 C

## ALTERNATOR

MAKE	MODEL
MECC-ALTE	ECO 38-2LN

VOLTAGE	HZ	PHASE	COS Ø	PRP kVA/kW	LTP kVA/kW	AMP. (LTP)
400/230	50	3	0,8	300,0/240,0	330,0/264,0	476,88

**ELECTRO EXIM SRL**

**ELECTRO EXIM SRL**  
21 Ialomicioarei St., sector 1, code 011277, BUCHAREST - ROMANIA  
Phone: 0040 21 2231347 - 0040 744 755 390 - FAX: 0040 21 2231201  
E-mail: office@electroexim.com - Web: www.electroexim.ro

Model: ID-330 - INDUSTRIAL RANGE

400/230 V - THREE-PHASE | 1.500 R.P.M. | 50 Hz

## ENGINE CHARACTERISTICS

MAKE	MODEL
DEUTZ	BF6M 1015 C

### General Data

Power PRP (kWm)	271.20
Power LTP (kWm)	300.20
No. cylinders	6
Cylinder capacity (L)	4.76
Diameter per stroke (mm)	132 x 145
Compression ratio	16.50
Cooling system	LIQUID
Injection	DIRECT
Suction	TURBO
Series regulator	ELECTRONIC
Fly wheel coupling	1 - 14"

### Lubrication system

Oil capacity (L)	34
Oil consumption (%)	0.30
Min. alarm oil pressure (bar)	3

### Ventilation system

Air cooling flow (m <sup>3</sup> /h)	20952
Combustion air flow (m <sup>3</sup> /h)	1460
Max. back pressure for fan (mbar)	0

### Exhaust system

Exhaust gas flow (m <sup>3</sup> /h)	3995
Exhaust back pressure (mbar)	50
Temp. exhaust gases (°C)	510

### Electrical system

VDC (V)	24
Battery (Ah)	2 x 180
Engine start-up (kW)	5.40



Model: ID-330 - INDUSTRIAL RANGE

400/230 V - THREE-PHASE | 1.500 R.P.M. | 50 Hz



## INMESOL GENERATOR SET

### GENERAL DESCRIPTION

The “INMESOL” generator set is an electrical energy generating machine which is used in places where there is **no mains supply** or when there is a MAINS failure.

The mobile elements, distribution belt, fan, etc., and those parts which reach high temperatures during operation, exhaust manifold, etc, include their corresponding protections, in compliance with the requirements of the Machinery Directive **2006/42**.

### REGULATIONS

The machine holds the “CE” marking, and the corresponding Declaration of Conformity is issued with each of them, in which it specifies that the machine complies with **R.D 842/2002 Low Voltage Regulations and with the European Directives:**

- 2006/42 on Safety in Machinery.
- 2006/95/CE on Electrical Safety.
- 2004/108/CE on Electromagnetic Compatibility.
- 2005/88/CE on NOISE EMISSIONS by equipment for outdoor use (for SOUNDPROOF GENERATOR SETS).

Model: ID-330 - INDUSTRIAL RANGE

400/230 V - THREE-PHASE | 1.500 R.P.M. | 50 Hz

**IN** **INDUSTRIAL**  
RANGE

**Scope of supply**



Engine/alternator monobloc directly connected and installed via silent blocks on a frame made from high tensile electro welded steel profiles that are treated with degreasing liquids and applied with a phosphate coat and polyester (QUALICOAT) paint.

Canopy of steel sheet sound proofed with fireproof rockwool, and treated with degreasing liquids and applied with a phosphate coat and polyester (QUALICOAT) paint.

Sealed chassis

Fuel tank integrated in the base frame provided with fuel level gauge and fuel connections to the engine.

Engine with mechanical engine driven pusher fan.

Residential silencer with -35 db(A) noise reduction with exhaust tube and protection cap.

Electric control cubicle with control module including protection and reading of electrical measures engine instrumentation fuel level and engine running hours, etc. remote start possibility

Thermal and magnetic circuit breaker and thermal and magnetic circuit breaker and earth fault relay.

Battery charge alternator.

Starter battery complete with cables to the engine and pole protection.

Installation prepared for earthing spike (spike not included).

Security protection for heat and moving parts as well as live electrical components.

External emergency stop push button.

Manual engine oil extraction pump.

Self excited and auto regulated alternator.

Integrated lifting hook for single point lifting with crane, gensets up to 450 kVA (Except in swing-out cover model)

Base frame is prepared for trailer kit installation.

Standard electronic speed governor on engines from 220 kVA (LTP) and up.

Horizontal outlet for hot air (till canopy 4200x1600x2245)

## OPTIONS

Battery charger

Coolant preheating

AMF/ATS panel to turn a manual gen set to automatic version (consult the last page)

Integral additional socket panel from 20 kVA till 400 kVA PRP

Residential silencer

**V1** PREWIRED VERSION  
FOR AMF

**V2** GENSETS WITH AMF/ATS PANEL  
AND 4 POLE CIRCUIT BREAKER

**V3** GENSET WITH AMF CONTROL PANEL BUT WITHOUT ATS PANEL  
AND SEPARATED ATS PANEL

**ELECTRO EXIM SRL**

**ELECTRO EXIM SRL**  
21 Ialomicioarei St., sector 1, code 011277, BUCHAREST - ROMANIA  
Phone: 0040 21 2231347 - 0040 744 755 390 - FAX: 0040 21 2231201  
E-mail: office@electroexim.com - Web: www.electroexim.ro

Model: ID-330 - INDUSTRIAL RANGE

400/230 V - THREE-PHASE | 1.500 R.P.M. | 50 Hz

### DSE 3110 MANUAL CONTROL PANEL

MANUAL CONTROL, PROTECTION AND DISTRIBUTION panel, assembled on the generator set in metal cabinet with a DSE 3110 engine protection unit.



Image for guidance purposes.

It has the following:

#### 1. STARTER SWITCH

#### 2. EMERGENCY STOP PUSHBUTTON

#### 3. MEASURING INSTRUMENTS:

Analogue(s) ammeter(s)

Fuel level indicator.

Analogue voltmeter

Digital Hz display and hour meter (DSE 3110)

Model: ID-330 - INDUSTRIAL RANGE 400/230 V - THREE-PHASE | 1.500 R.P.M. | 50 Hz

**DSE 3110 MANUAL CONTROL PANEL**

**4. SET CONTROL AND ENGINE PROTECTION: DSE 3110, allows:**

START AND STOP the set MANUALLY.

Possibility of doing it AUTOMATICALLY via START ON SIGNAL

Digital readings of the operating hours and the Frequency

Controls the main characteristics of the engine, causing an alarm or stopping the machine:

- Low and High Voltage (STOP)
- Low and High Frequency and Speed (STOP)
- Low Oil Pressure and High Coolant Temperature (STOP)
- Failure of the Alternator Battery-Charger (ALARM)
- Low fuel level (ALARM)

**5. PROTECTIONS**

MAGNETO. PROTECTION (A)	EARTH LEAK PROTECTION	DISTRIBUTION
630A, 3P	Electronic, adjustable	CEE5P16A+Schuko+borner 0

## OPTIONS

### OPTIONAL 1:

#### AUTOMATIC PANEL FOR MANUAL GENERATOR: ATS DSE 334

This panel provides the manual control generator with a reserve operation from the Mains, as the ATS sends the command to start and stop the generator. when it detects a supply failure and when the Mains is restored.



Image for guidance purposes.

It has the following:

Change over switch made up of two contactors with mechanical and electrical latching.

Battery charger

Fuses

Mains and group input and charge output connection terminal block.

DSE 334 Automatic Transfer Control Module, providing the following functions and features:

- Output to voltage free relay.
- Automatic supply failover.
- Real time clock
- 10 inputs and 5 outputs can be customised
- Events log
- Customisable timers
- Setup can be completed through PC and/ or through the panel itself.
- LED indicators.
- Four-line screen
- Input for generator set failure.
- Electric current monitoring (optional)
- Voltage levels can be adjusted to mains failure
- Generator availability indicator.
- Start signal to the engine



Model: ID-330 - INDUSTRIAL RANGE

400/230 V - THREE-PHASE | 1.500 R.P.M. | 50 Hz

## OPTIONS

### OPTION 2:

### FAILOVER TO DSE 6010 MKII MANUAL DIGITAL CONTROL MODULE

#### LCD SCREEN:

It has a digital LCD screen, which provides easy reading of the information regarding the ENGINE, ALTERNATOR and CHARGING.

#### ENGINE:

Coolant temperature

Oil pressure

Turning speed (rpm)

Fuel level

Battery voltage

Battery alternator voltage

Operating hours

Number of start-ups

#### ALTERNATOR AND CHARGE:

Voltages between phases and between phases and neutral.

Intensities

Frequency

#### CONTROL OF THE SET:

START AND STOP the set MANUALLY.

Possibility of doing it AUTOMATICALLY via START ON SIGNAL.

#### PROTECTION OF THE ENGINE AND ALTERNATOR, WITH THE ALARMS ACTIVATED:

#### ENGINE:

Low oil pressure

High coolant temperature

Low and High battery Voltage.

Failure of the alternator to charge batteries

Low fuel level..

#### ALTERNATOR:

Low and High Voltage

Low and High Frequency

Overload due to Intensity (A)

#### OTHER CHARACTERISTICS:

The real-time clock records the last 50 events.s.

Configurable inputs and outputs.

Configurable alarms and timers.

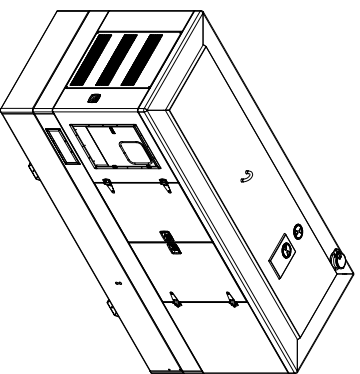
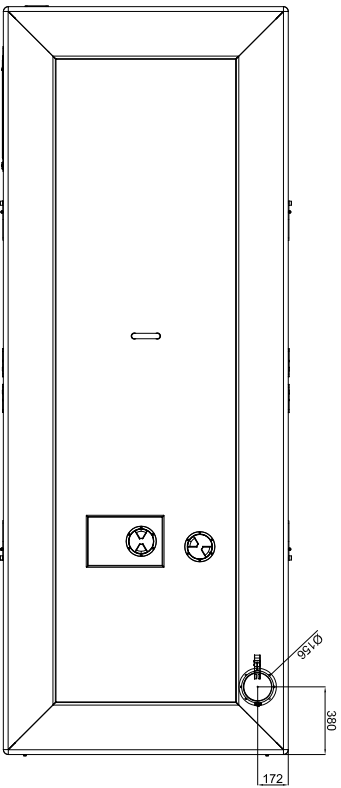
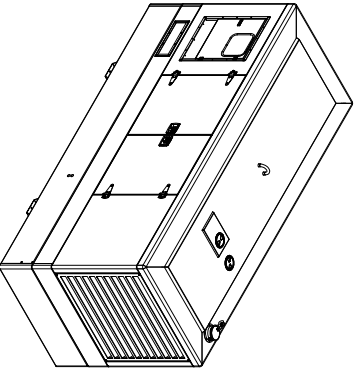
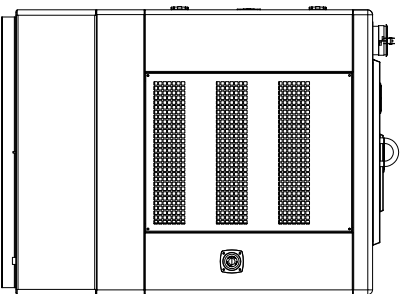
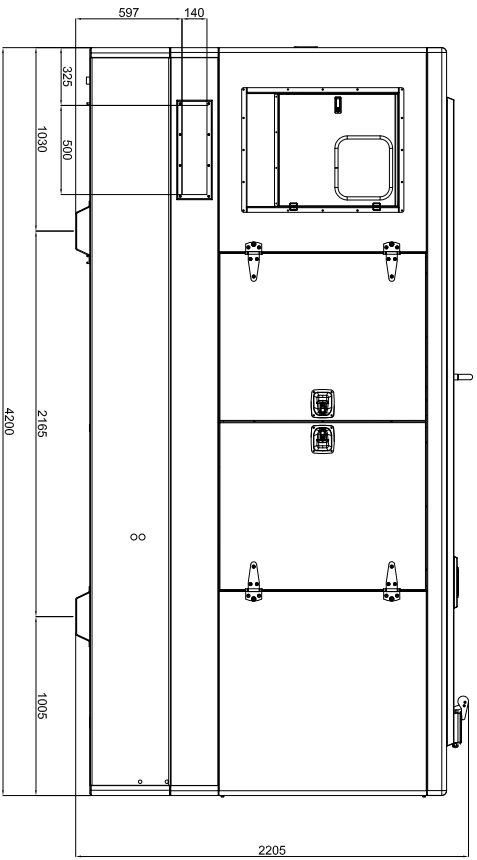
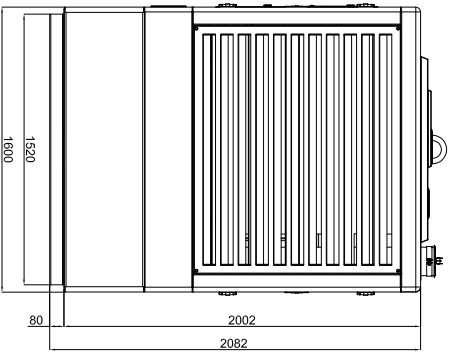
USB connectivity

Fully configurable via software and PC.

Communication via USB cable for remote control

Programmable clock with multiple maintenance events which can be configured for optimal motor functioning. Weekly and/or monthly programming for up to 8 startups and shutdowns per week.

ALTERNATIVE CONFIGURATIONS, which open up the working possibilities.



FUEL TANK CAPACITY = 534 LTS

GENSET MODEL BUILT INSIDE THIS CANOPY

IVECO	II-330	II-385	II-440	II-550
DEUTZ	ID-330	ID-415		
MTU	IT-310	IT-330	IT-440	
VOLVO	IV-330	IV-385	IV-415	IV-500
PERKINS	IP-300	IP-385	IP-440	
PERKINS	IP-355	IP-450	IP-520	IP-580



Este documento es una herramienta de trabajo que puede ser utilizada para fines de información y no constituye un contrato. El usuario debe consultar el manual de instrucciones y el manual de mantenimiento para obtener más información. Estas son generalidades y específicas de cada modelo. Reservados todos los derechos.

PROYECTO:  
SOUNDPROOFED CANOPY 4200x2220x1600 WATERTIGHT

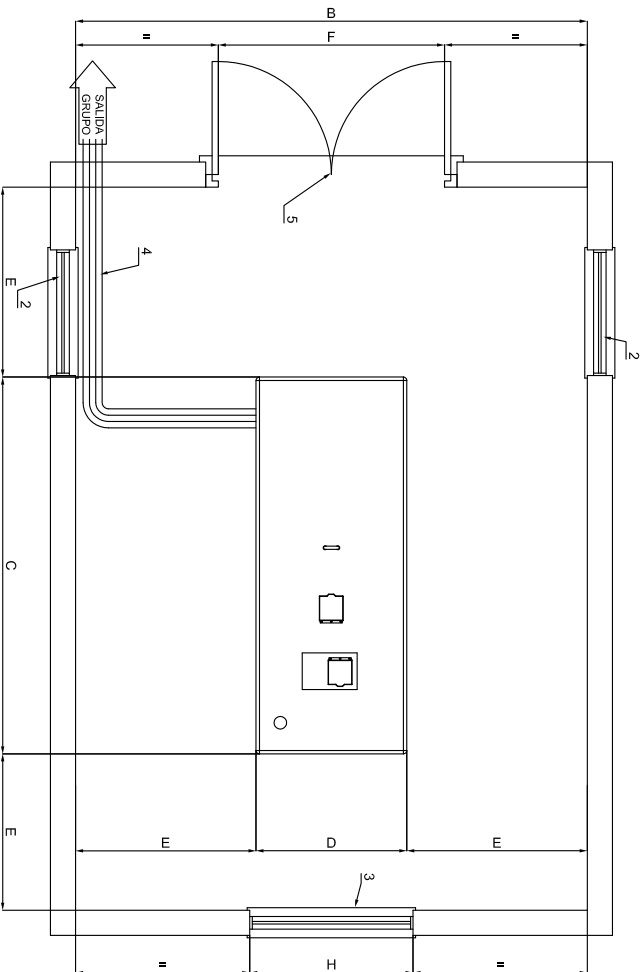
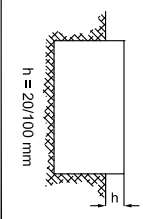
MODIFICADO	A.AGUILAR	04/08/2015	MATERIAL	
DISEÑADO	J.J.BELAR	18-JUN-2012	TOLERANCIA GENERAL	
COMPROBADO	J.J.SOLANO	18-JUN-2012	UDS	
DESIGNACION	SOUNDP. CANOPY 4200x2220x1600 300-400 Kw		EXPEDIENTE:	
ESCALA			Nº MOD.	
			Nº PLANO	
			MARCA	

- | NOMENCLATURA |                            |
|--------------|----------------------------|
| 1.           | GRUPO ELECTROGENO          |
| 2.           | HUECO ENTRADA DEL AIRE     |
| 3.           | TUNEL EXPULSION DEL AIRE   |
| 4.           | BANDEJA PASACABLES         |
| 5.           | PUERTA DE ACCESO           |
| 6.           | BASE HORMIGON ARMADO H-175 |
| 7.           | TUBO DE ESCAPE             |

CALCULO ESPESOR LOSA DE HORMIGON

$$E = \frac{W}{d \times D \times C}$$

E = altura bloque de hormigon  
 W = peso total grupo electrogeno  
 d = densidad del hormigon (2400 kg/m<sup>3</sup>)  
 D = anchura bloque de hormigon (m)  
 C = longitud bloque de hormigon (m)



GRUPO INSONORIZADO						
PROYECTO:						
Una Generación o varias de alta potencia, carga fija	MODIFICADO	AGUILAR	02-Ene-2015	MATERIAL		
Todo el resto, etc... tal como se indique en el presente	DIBUJADO	J.GEBELAR	27-Feb-2008	TOLERANCIA GENERAL		
Las dimensiones se expresan en metros, salvo especificación en contrario	COMPROBADO	J.L.SOLANO	04-L	UDS:		
CODIGO	DENOMINACION:			EXPEDIENTE:		
PESO					Nº MODI	
ESCALA					Nº PLANO	MARCA