

Model: AD-145 - STAND-BY RANGE

400/230 V - THREE-PHASE | 1.500 R.P.M. | 50 Hz

Automatic with amf/ats panel Stand-by Genset V2.

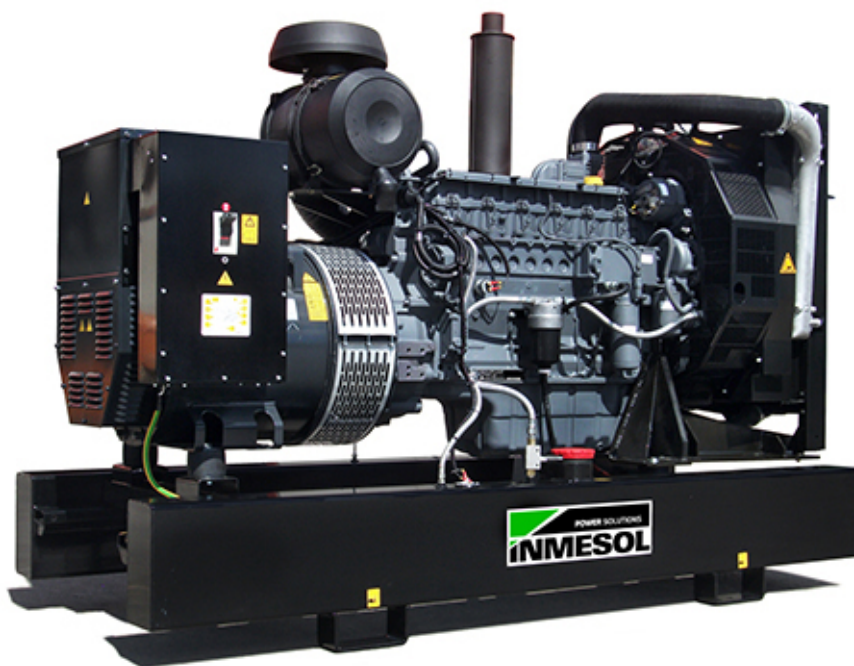


Image for guidance purposes.

## PRP

**CONTINUOUS POWER:** 130 kVA

PRP "Prime Power" norma ISO 8528-1

## LTP

**STAND-BY POWER:** 145 kVA

LTP "Limited Time Power" norma ISO 8528-1

## ENGINE

MAKE	MODEL
DEUTZ	BF4M 1013 FC

## ALTERNATOR

MAKE	MODEL
MECC-ALTE	ECP 34-1L/4

VOLTAGE	HZ	PHASE	COS Ø	PRP kVA/kW	LTP kVA/kW	AMP. (LTP)
400/230	50	3	0,8	129,8/103,8	143,0/114,4	206,65

Model: AD-145 - STAND-BY RANGE

400/230 V - THREE-PHASE | 1.500 R.P.M. | 50 Hz

## ENGINE CHARACTERISTICS

MAKE	MODEL
DEUTZ	BF4M 1013 FC

### General Data

Power PRP (kWm)	112.00
Power LTP (kWm)	124
No. cylinders	4
Cylinder capacity (L)	4.76
Diameter per stroke (mm)	108 x 130
Compression ratio	-
Cooling system	LIQUID
Injection	DIRECT
Suction	TURBO
Series regulator	ELECTRONIC
Fly wheel coupling	2 - 11,5"

### Lubrication system

Oil capacity (L)	11
Oil consumption (%)	0.30
Min. alarm oil pressure (bar)	2.70

### Ventilation system

Air cooling flow (m <sup>3</sup> /h)	9000
Combustion air flow (m <sup>3</sup> /h)	482
Max. back pressure for fan (mbar)	0

### Exhaust system

Exhaust gas flow (m <sup>3</sup> /h)	1389
Exhaust back pressure (mbar)	30
Temp. exhaust gases (°C)	530

### Electrical system

VDC (V)	12
Battery (Ah)	96
Engine start-up (kW)	3

Model: AD-145 - STAND-BY RANGE

400/230 V - THREE-PHASE | 1.500 R.P.M. | 50 Hz

## ALTERNATOR CHARACTERISTICS

MAKE	MODEL
MECC-ALTE	ECP 34-1L/4

### General Data

Power PRP (kVA)	130
Power LTP (kVA)	143
Efficiency Alt. 3/4 %	93.20
Efficiency Alt. 4/4 %	92.70
No. Poles	4
Voltage regulator	DSR
No. wires	12
Insulation	H
Xd (%)	214
X'd (%)	17.20
X	6.80
Degree of protection	IP23

## GENERATOR SET CONSUMPTION

% POWER USED	LITRES/HOUR
50%	15.70
75%	23.50
100%	32.30

## DIMENSIONS, CAPACITIES, APPROXIMATE WEIGHT

Dimensions (mm)		
LENGTH	WIDTH	HEIGHT
2250	1035	1740

FUEL TANK (LITRES)	WEIGHT (KG)
224	1480

Model: AD-145 - STAND-BY RANGE

400/230 V - THREE-PHASE | 1.500 R.P.M. | 50 Hz



## INMESOL GENERATOR SET

### GENERAL DESCRIPTION

The “INMESOL” generator set is an electrical energy generating machine which is used in places where there is **no mains supply** or when there is a MAINS failure.

The mobile elements, distribution belt, fan, etc., and those parts which reach high temperatures during operation, exhaust manifold, etc, include their corresponding protections, in compliance with the requirements of the Machinery Directive **2006/42**.

### REGULATIONS

The machine holds the “CE” marking, and the corresponding Declaration of Conformity is issued with each of them, in which it specifies that the machine complies with **R.D 842/2002 Low Voltage Regulations and with the European Directives:**

- 2006/42 on Safety in Machinery.
- 2006/95/CE on Electrical Safety.
- 2004/108/CE on Electromagnetic Compatibility.
- 2005/88/CE on NOISE EMISSIONS by equipment for outdoor use (for SOUNDPROOF GENERATOR SETS).

Model: AD-145 - STAND-BY RANGE

400/230 V - THREE-PHASE | 1.500 R.P.M. | 50 Hz

**SB** **STAND-BY**  
RANGE

**Scope of supply**

**V2** **Gensets WITH AMF/ATS PANEL and 4 Pole**  
**Circuit Breaker**

**V2**



Engine/alternator monobloc directly connected and installed via silent blocks on a frame made from high tensile electro welded steel profiles that are treated with degreasing liquids and aplicated with a phosphate coat and Polyester (QUALICOAT) paint.

Fuel tank integrated in the chassis provided with fuel level jauge and fuel lines to the engine.

Engine with mechanical engine driven pusher fan.

Industrial silencer with -15 db(A) noise reduction and exhaust outlet tube.

Thermal and magnetic circuit breaker

Battery charge alternator.

Starter battery complete with cables to the engine and pole protection.

Installation prepared for earthing spike (spike not included).

Security protection for belts and moving parts as well as on electrical component.

External emergency stop push button.

Self excited and auto regulated alternator.

4 Lifting points for gen sets from 450 kVA and bigger.

Base frame prepared for trailer kit

Standard electronic speed governor on engines from 220 kVA and up.

Electric control cubicle with digital control module, automatic mains failure, manual start or remote start on signal with change over switch in the same cabinet.

Battery charger for gen set with 12VCC battery (2A).

Battery charger for gen set with 24VCC battery (5A).

Electric engine coolant preheating on gen sets with automatic mains failure controller.

Control cable of 6 m

## OPTIONS

Earth fault relay

Residential silencer

**V1** PREWIRED VERSION  
FOR AMF

**V2** GENSETS WITH AMF/ATS PANEL  
AND 4 POLE CIRCUIT BREAKER

**V3** GENSET WITH AMF CONTROL PANEL BUT WITHOUT ATS PANEL  
AND SEPARATED ATS PANEL

**ELECTRO EXIM SRL**

**ELECTRO EXIM SRL**  
21 Ialomicioarei St., sector 1, code 011277, BUCHAREST - ROMANIA  
Phone: 0040 21 2231347 - 0040 744 755 390 - FAX: 0040 21 2231201  
E-mail: office@electroexim.com - Web: www.electroexim.ro

Model: AD-145 - STAND-BY RANGE

400/230 V - THREE-PHASE | 1.500 R.P.M. | 50 Hz

**DSE 6020 MKII AUTOMATIC CONTROL PANEL WITH AMF/ATS PANEL**

**V2**

PROTECTION, DISTRIBUTION AND AUTOMATIC CONTROL panel which starts the generator set when it detects a mains failure and stops it when the mains is restored with the control unit DSE 6020 MKII. It also starts and stops the group manually via a pushbutton or remote start-up by contact. It incorporates change over switch. The entire assembly is in a steel enclosure separated from the gen set.



Image for guidance purposes.

It has the following:

## 1. EMERGENCY STOP PUSHBUTTON

## 2. PROTECTIONS:

Magnetothermal switch (preheating resist.) 2P (16 A)

Protection fuses for control module

## 3. BATTERY CHARGER

**V1** PREWIRED VERSION FOR AMF

**V2** GENSETS WITH AMF/ATS PANEL AND 4 POLE CIRCUIT BREAKER

**V3** GENSET WITH AMF CONTROL PANEL BUT WITHOUT ATS PANEL AND SEPARATED ATS PANEL

**ELECTRO EXIM SRL**

**ELECTRO EXIM SRL**  
21 Ialomicioarei St., sector 1, code 011277, BUCHAREST - ROMANIA  
Phone: 0040 21 2231347 - 0040 744 755 390 - FAX: 0040 21 2231201  
E-mail: office@electroexim.com - Web: www.electroexim.ro

Model: AD-145 - STAND-BY RANGE

400/230 V - THREE-PHASE | 1.500 R.P.M. | 50 Hz

**DSE 6020 MKII AUTOMATIC CONTROL PANEL WITH AMF/ATS PANEL**

**V2**

## 4. DSE 6020 MKII PROTECTION CONTROL MODULE.

### LCD SCREEN:

It has a digital LCD screen, which provides easy reading of the information regarding the ENGINE, ALTERNATOR, MAINS and CHARGING.

ENGINE:	ALTERNATOR AND CHARGE:	MAINS:
Coolant temperature	Voltages between phases and between phases and neutral.	Frequency
Oil pressure	Intensities	Voltages between phases and neutral (L1-N, L2-N, L3-N).
Turning speed (rpm)	Frequency	Voltages between phases and (L1-L2, L2-L3, L1-L3).
Fuel level	Active Power (kW)	Active Power (kW)
Battery voltage	Reactive Power (kVAr)	Reactive Power (kVAr)
Battery alternator voltage.	Apparent Power (kVA)	Apparent Power (kVA)
Operating hours	Cos phi	Cos phi
Number of start-ups	Active energy meter (kW-h)	

### CONTROL OF THE SET:

STARTS and STOPS the set AUTOMATICALLY when mains failure is detected and when it is restored, respectively.

It can also operate MANUALLY a REMOTE STAR.

Breaker control via fascia buttons.

### PROTECTION OF THE ENGINE AND ALTERNATOR, WITH THE ALARMS ACTIVATED:

ENGINE:	ALTERNATOR:	MAINS:
Low oil pressure	Low and High Voltage	Low and High Voltage
High coolant temperature	Low and High Frequency	Low and High Frequency
Low and High battery Voltage.	Overload due to Intensity (A)	
Failure of the alternator to charge batteries	Power Overload (KW)	
Low fuel level		
Engine maintenance alarms for fuel filter, air filter and oil filter		

### OTHER CHARACTERISTICS:

The real-time clock provides an exact record of events.	USB connectivity	Programmable clock with multiple maintenance events which can be configured for optimal motor functioning. Weekly and/or monthly programming for up to 8 startups and shutdowns per week.
Extensive number of configurable inputs and outputs.	Fully configurable via software and PC.	ALTERNATIVE CONFIGURATIONS, which open up the working possibilities
Configurable alarms and timers.	Communication via USB cable for remote control	

**V1** PREWIRED VERSION FOR AMF

**V2** GENSETS WITH AMF/ATS PANEL AND 4 POLE CIRCUIT BREAKER

**V3** GENSET WITH AMF CONTROL PANEL BUT WITHOUT ATS PANEL AND SEPARATED ATS PANEL

**ELECTRO EXIM SRL**

**ELECTRO EXIM SRL**  
21 Ialomicioarei St., sector 1, code 011277, BUCHAREST - ROMANIA  
Phone: 0040 21 2231347 - 0040 744 755 390 - FAX: 0040 21 2231201  
E-mail: office@electroexim.com - Web: www.electroexim.ro

Model: AD-145 - STAND-BY RANGE

400/230 V - THREE-PHASE | 1.500 R.P.M. | 50 Hz

**DSE 6020 MKII AUTOMATIC CONTROL PANEL WITH AMF/ATS PANEL**

**V2**

## 5. PROTECTIONS

MAGNETO. PROTECTION (A)	EARTH LEAK PROTECTION	DISTRIBUTION	AMF/ATS PANEL
250A, 4P	Opcional	Direct from circuit breaker	260

**V1** PREWIRED VERSION FOR AMF

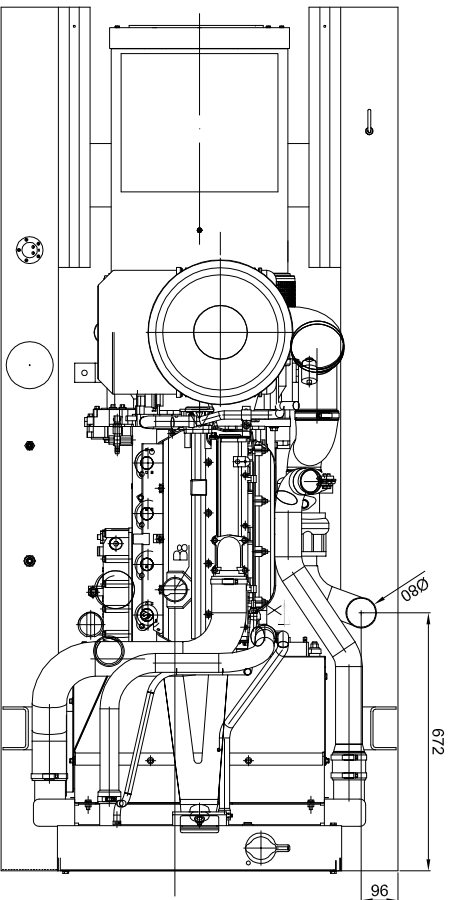
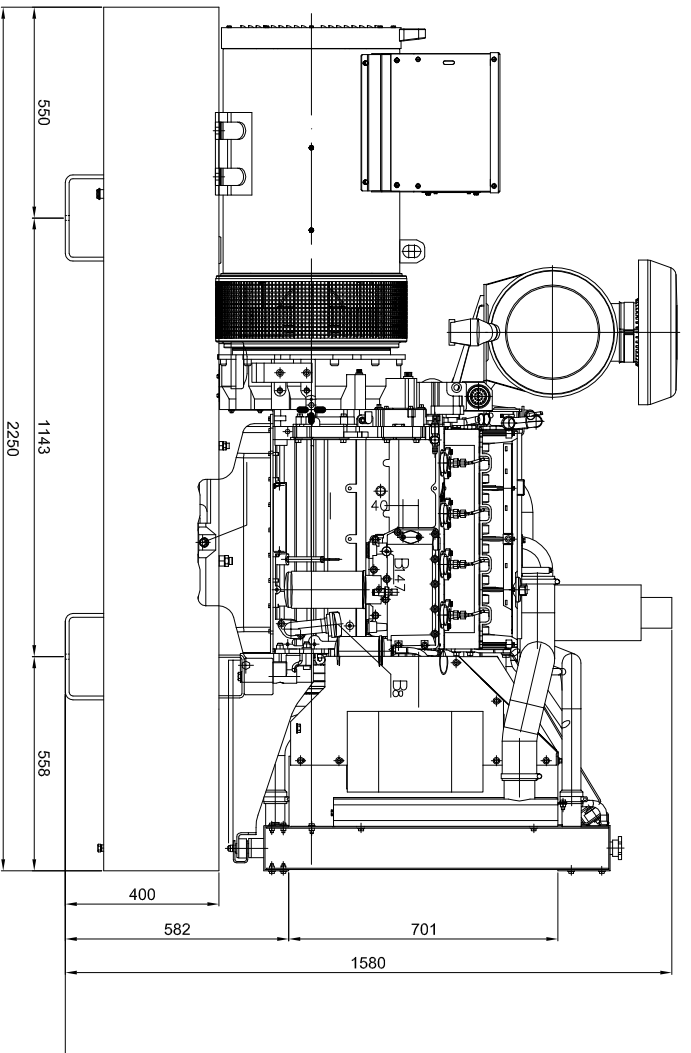
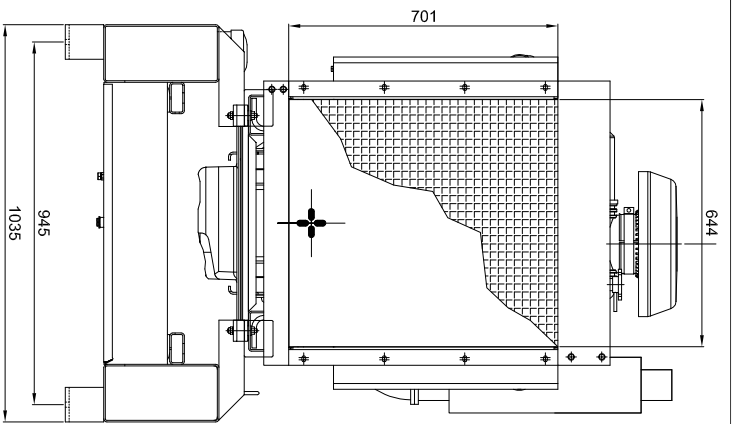
**V2** GENSETS WITH AMF/ATS PANEL AND 4 POLE CIRCUIT BREAKER

**V3** GENSET WITH AMF CONTROL PANEL BUT WITHOUT ATS PANEL AND SEPARATED ATS PANEL

**ELECTRO EXIM SRL**

**ELECTRO EXIM SRL**  
21 Ialomicioarei St., sector 1, code 011277, BUCHAREST - ROMANIA  
Phone: 0040 21 2231347 - 0040 744 755 390 - FAX: 0040 21 2231201  
E-mail: office@electroexim.com - Web: www.electroexim.ro





CAPACIDAD DE DEPOSITO = 214 LTS

		<b>PROYECTO:</b> <b>G. E. EST-STD 130 Kva DEUTZ (BF4M1013FC)</b>	
<small>Las tolerancias a cumplir en cualquier tipo de dibujo, se habrán de aplicar a menos que se especifique lo contrario. Toda referencia a un código de dibujo, se entenderá referida a la especificación de dicho dibujo.</small>		<b>MODIFICADO</b> J.S.BELAR	
<b>COMPROBADO</b> J.L.SOLANO		<b>MATERIAL</b> TOLERANCIA GENERAL	
<b>ESCALA</b> ESCALA		UDS	
<b>DE NOMINACION:</b> G. E. EST-STD 145 Kva DEUTZ		<b>EXEQUENTE:</b> Nº PLANO	
<b>DIMENSIONES GENERALES</b>		MARCA	

